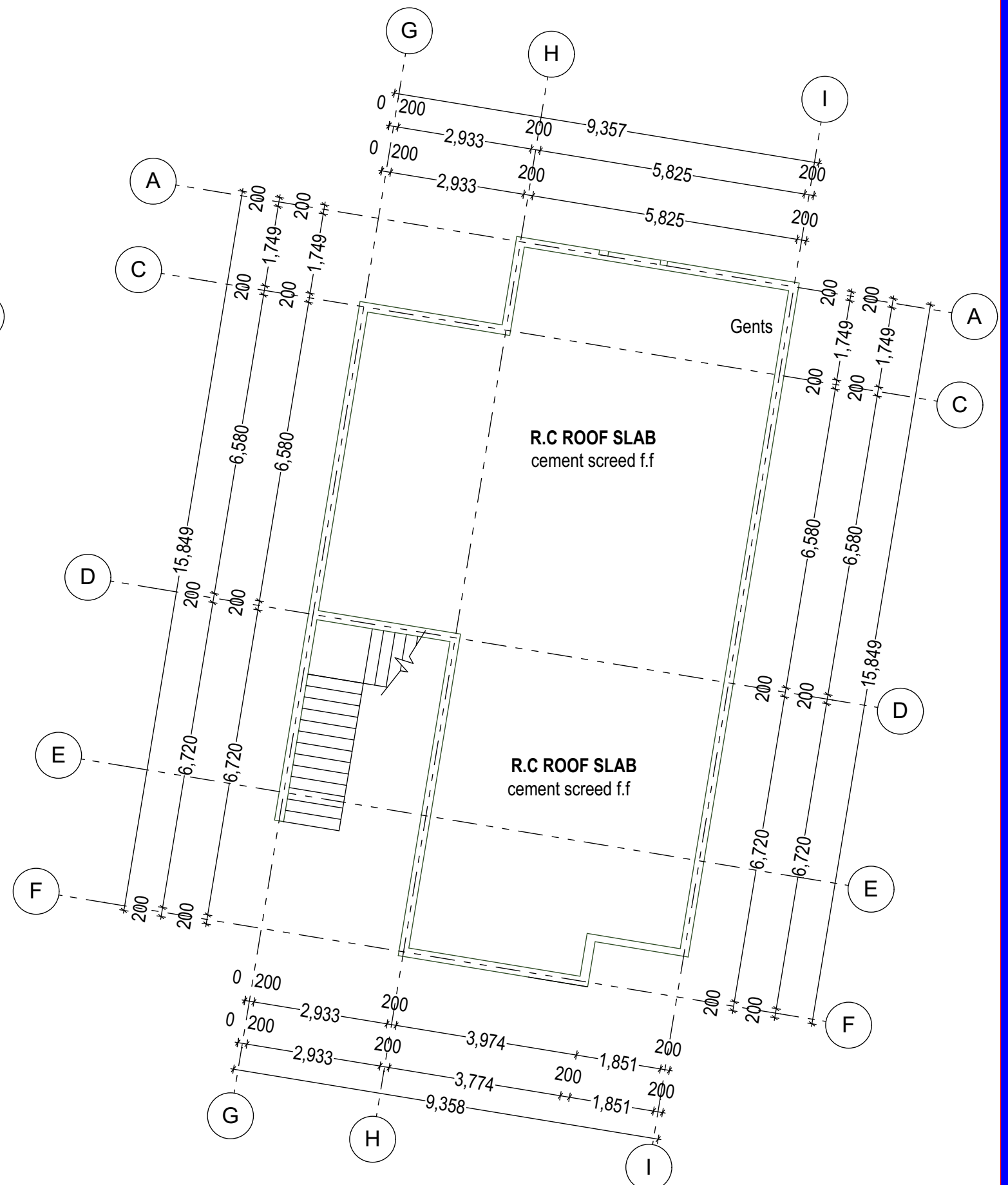
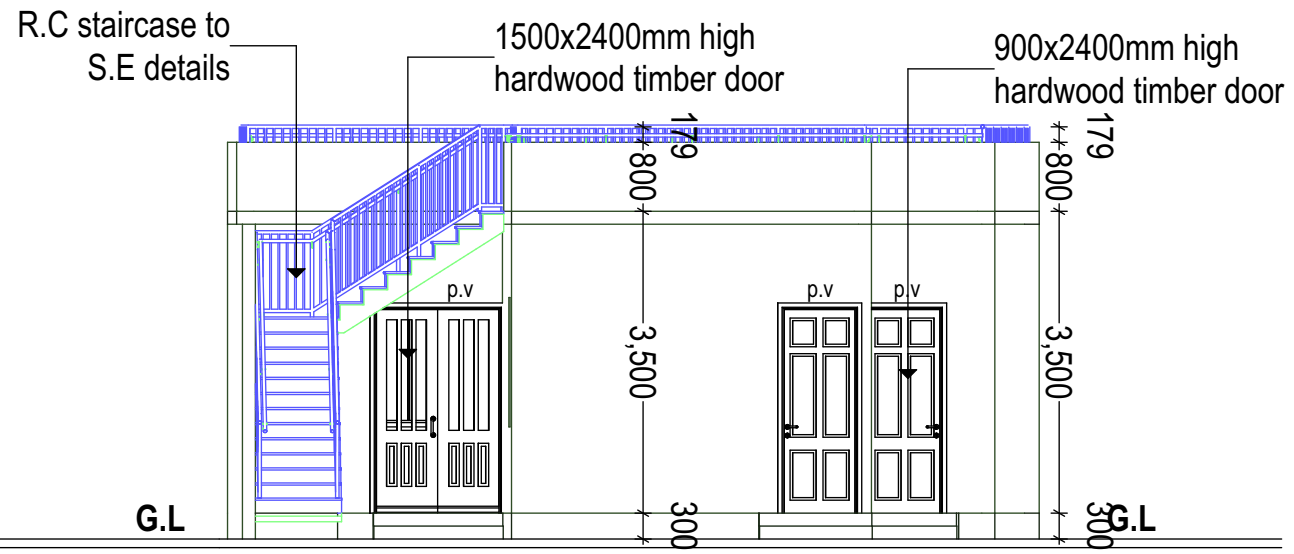


PROPOSED CAFETERIA GROUND FLOOR LAYOUT

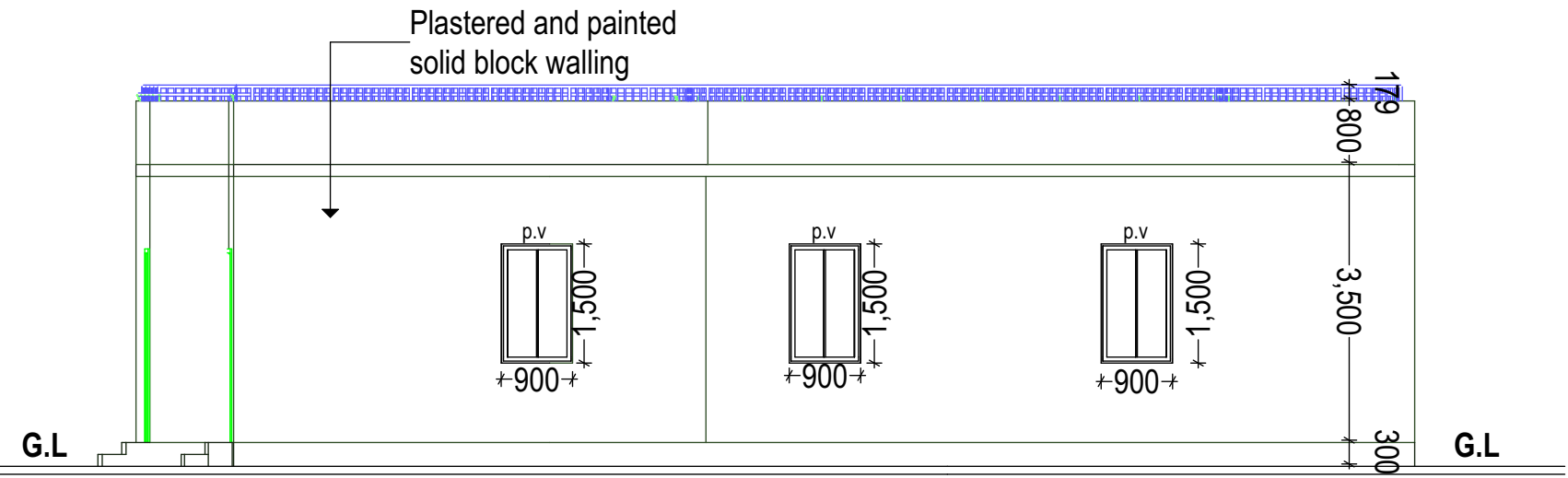


PROPOSED CAFETERIA FIRST FLOOR LAYOUT

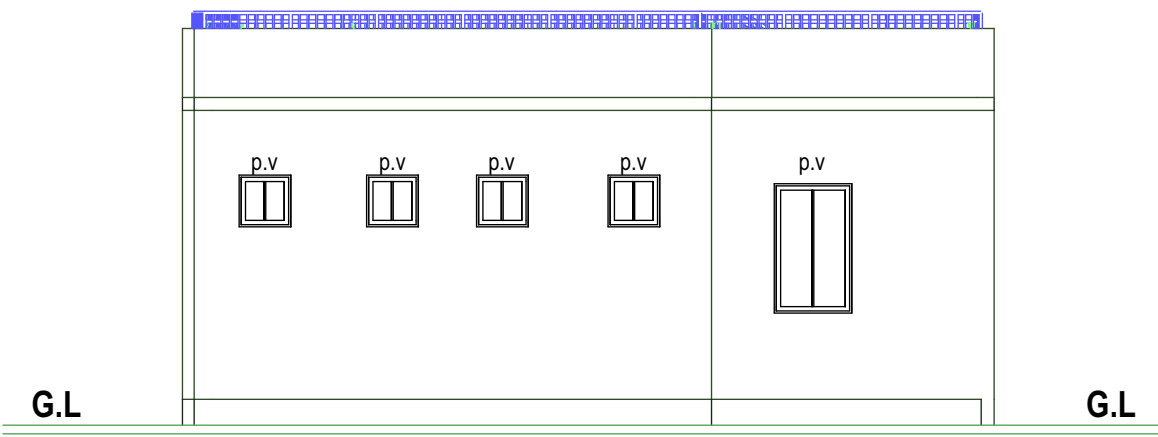




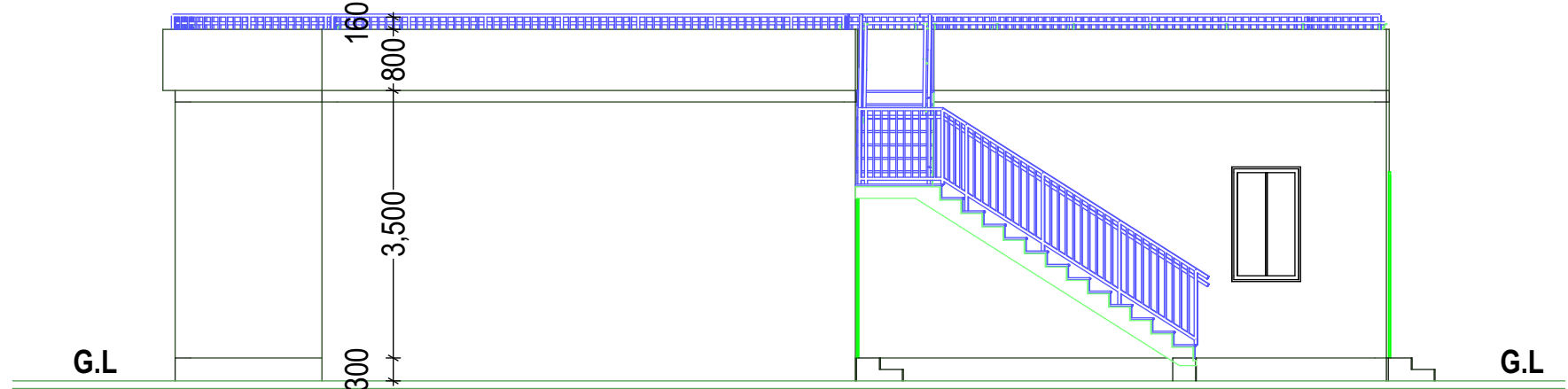
ELEVATION 01



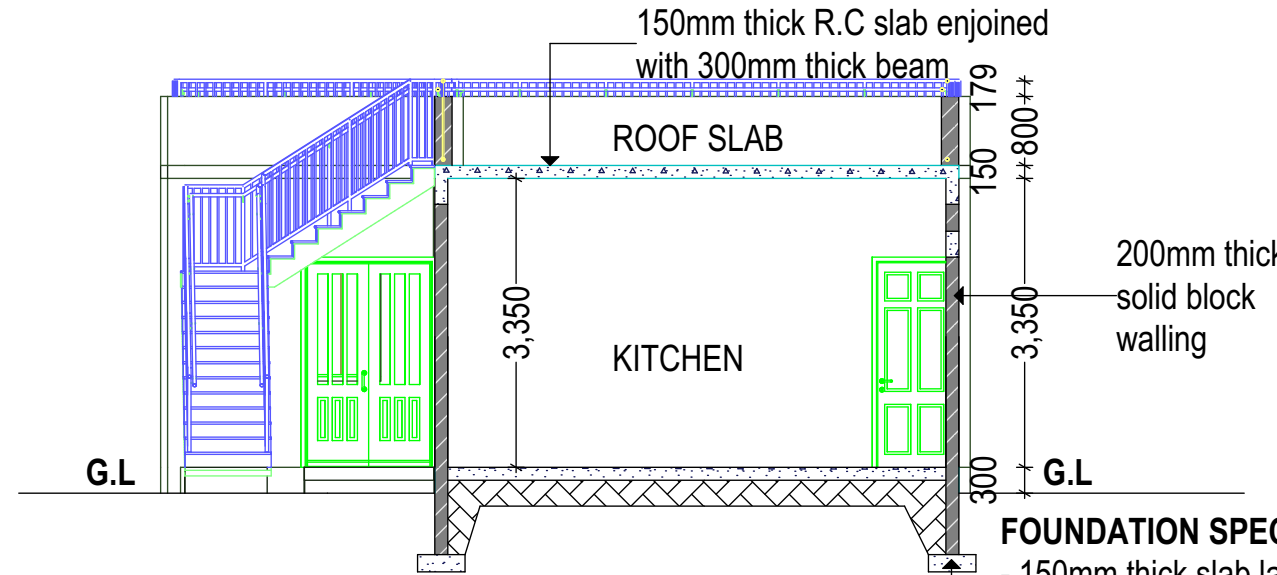
ELEVATION 02



ELEVATION 03



ELEVATION 04



SECTION X-X

- FOUNDATION SPECIFICATION**
- 150mm thick slab laid on app.dpm and blinding
 - b.r.c mesh
 - 1000x300mm deep R.C strip fnd to S.E's details
 - depth to be determined on site.
 - hardcore fill consolidated at 300mm level

